



## Main Features:-

- ◆ Screwed BSPP, Full Bore
- ◆ Nickel Plated HT Brass Body
- ◆ PVC Coated Steel Lever, WRAS Approved
- ◆ Certified to EN331:1998+A1:2010 Manually Operated Valves for Gas Installations (CPR)

\*Temperature and pressure determined by valve body, seat etc.

## Suitable Applications & Approvals:



INDUSTRY

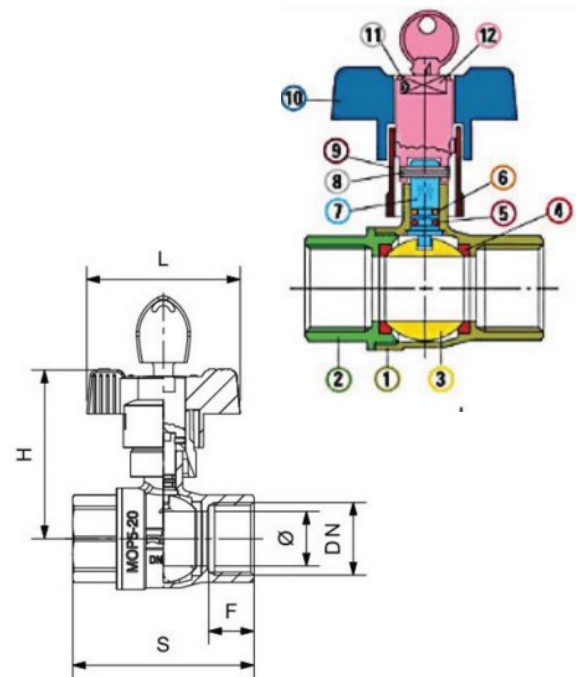


## SERIES: 10041

MANUFACTURER:



No	Name	Materials
1	Body	Nickel Plated Brass
2	Body End	Nickel Plated Brass
3	Ball	Chrome Plated Brass
4	Seat	PTFE
5	O'Ring	FKM
6	O'Ring	NBR
7	Stem	Brass
8	Elastic Pni	Steel
9	Screwed Ring	Zinc Plated Zinc Alloy
10	Butterfly Handle	Aluminium
11	Elastic Pin	Steel
12	Locking Device	Zinc Plated Zinc Alloy



Size	Ø	H	S	L	F	Kv	Kg
1/2"	15	45	66	60	16	15.8	0.21
3/4"	20	53	76	73	17.5	29	0.35
1"	25	57	91	73	21	50	0.57

### Pressure

PN64  
PN40

1/2"  
3/4" & 1"

### Temperature

Liquid      -20°C to 150°C  
Gas            -20°C to 70°C

VALVE DIMENSIONS

## ALL VALVES ONLINE

Offering a full range of actuated valve packages, manual valve range, pipe fittings and pumps, we have a product for all your requirements. As an ISO 9001-2015 Quality Approved and certified company, All Valves offer a quality service from pre-sale to post sale.



T +44 (0)1386 552369

E sales@allvalves.co.uk

W www.allvalves.co.uk

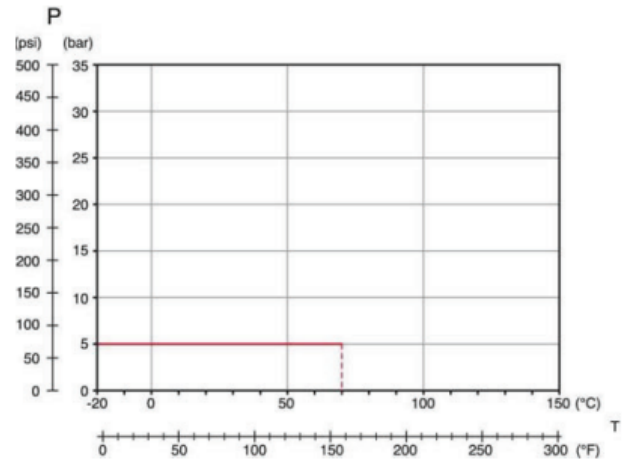
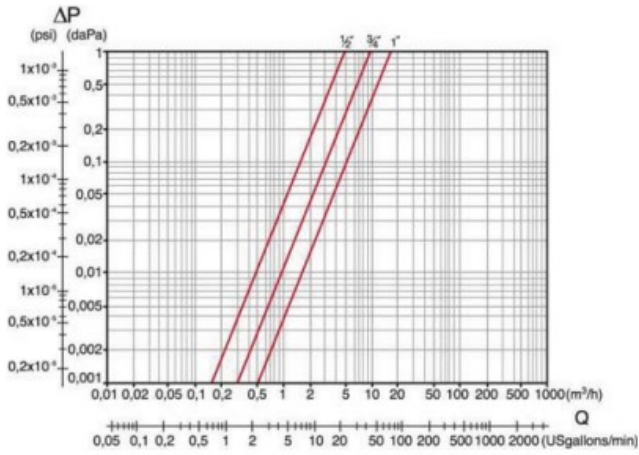
F +44 (0)1386 554227



AVOL valves are our range of industrial valves selected by our experienced technical sales team.

**SERIES: 10041**

## Pressure Loss Chart, Pressure/ Temperature Chart



VALVE DIMENSIONS



**T** +44 (0)1386 552369

**E** sales@allvalves.co.uk

**W** www.allvalves.co.uk

**F** +44 (0)1386 554227